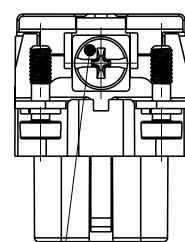
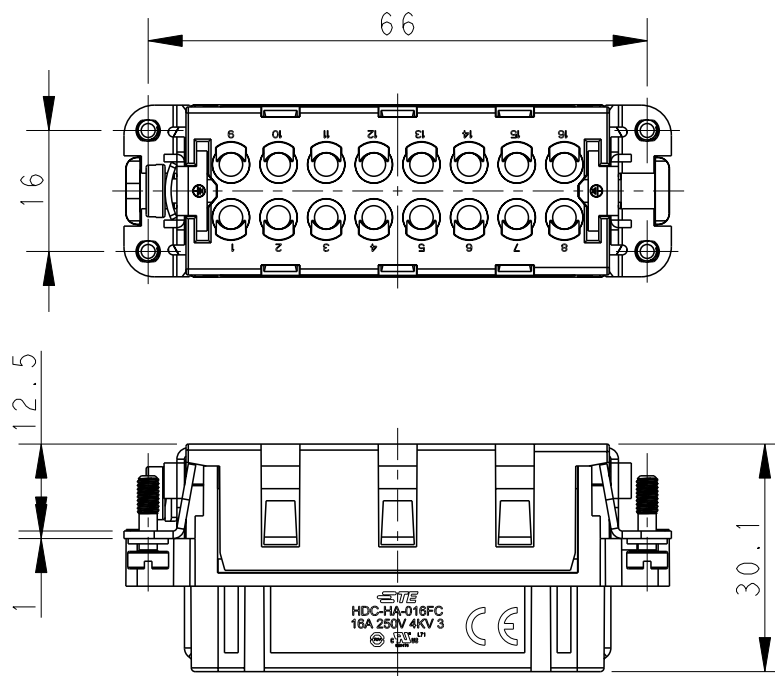
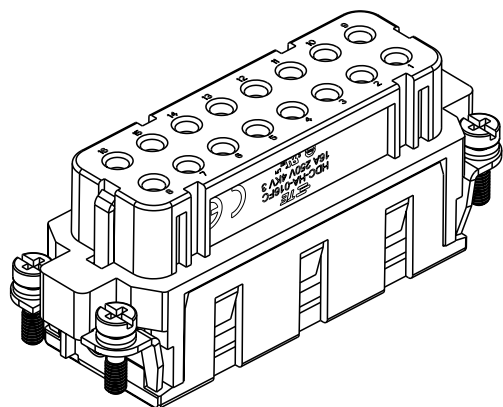


THIS DRAWING IS UNPUBLISHED. RELEASED FOR PUBLICATION 20  
 © COPYRIGHT 20 BY - ALL RIGHTS RESERVED.

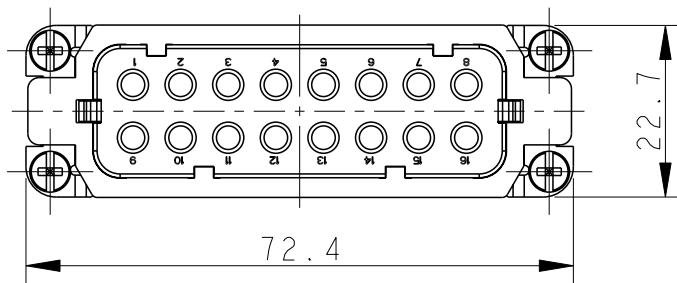
REVISIONS

| P | LTR | DESCRIPTION   | DATE      | DWN | APVD |
|---|-----|---------------|-----------|-----|------|
|   | A   | INITIAL       | 12NOV2014 | DW  | CW   |
|   | B   | ECR-20-016101 | 09JUN2021 | BS  | CW   |



M4 SCREW  
RECOMMENDED  
TIGHTENING TORQUE 1.2Nm

4X M3 SCREW, RECOMMENDED  
TIGHTENING TORQUE 0.5Nm



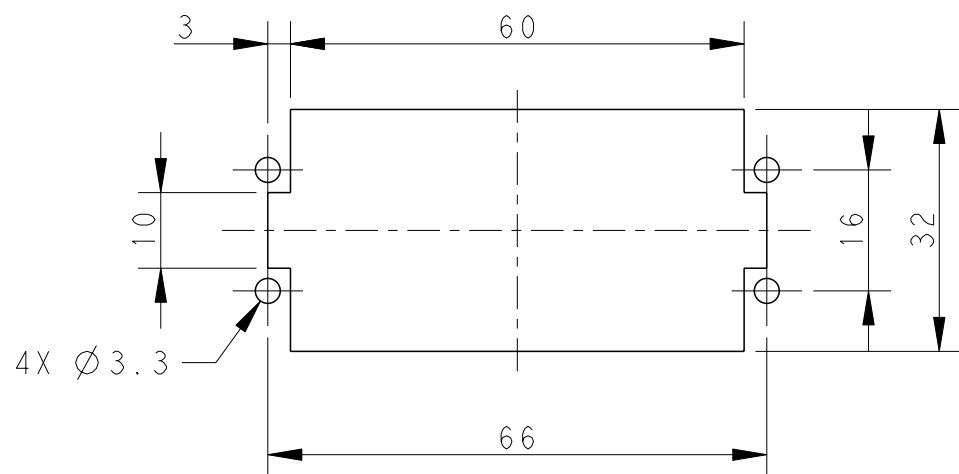
NOTES:

- TECHNICAL CHARACTERISTICS:  
 INSULATION MATERIAL: PC  
 RATED VOLTAGE: 250 V  
 RATED CURRENT: 16 A  
 INSULATION RESISTANCE:  $\geq 400M\Omega$   
 RATED IMPULSE VOLTAGE: 4 KV  
 POLLUTION DEGREE: 3  
 FLAMMABILITY: UL94V-0  
 MATING CYCLES: 500 CYCLES  
 WIRE RANGE: 0.14-4 mm<sup>2</sup> (26-12 AWG)  
 CONTACT TYPE: CRIMP CONTACT
- CONTACT NEED TO BE ORDERED SEPARATELY.  
 (ORDER No. REFER TO DRAWING: T20300X20XX000)

注释:

- 技术参数:  
 绝缘材料: PC  
 额定电压: 250V  
 额定电流: 16A  
 绝缘电阻:  $\geq 400M\Omega$   
 额定脉冲电压: 4 KV  
 污染等级: 3  
 阻燃等级: UL94V-0  
 插拔次数: 500次  
 接线范围: 0.14-4 mm<sup>2</sup> (26-12 AWG)  
 接线类型: 冷压接
- 端子需要单独订购。  
 (订货号参考图面: T20300X20XX000)

PANEL CUT FOR INSERTS FOR USE  
WITHOUT HOODS/ HOUSINGS



THIS DRAWING IS A CONTROLLED DOCUMENT.

| DIMENSIONS: | TOLERANCES UNLESS OTHERWISE SPECIFIED: |
|-------------|--|
| mm          |  |
|             | 0 PLC ±-                               |
|             | 1 PLC ±-                               |
|             | 2 PLC ±-                               |
|             | 3 PLC ±-                               |
|             | 4 PLC ±-                               |
|             | ANGLES ±-                              |
| MATERIAL    | FINISH                                 |
| -           | -                                      |

|                  |            |                 |           |                 |               |
|------------------|------------|-----------------|-----------|-----------------|---------------|
| DWN              | 12NOV2014  | HA-016-FC       |           | T2010164201-000 |               |
| CHK              | David Wang | DESCRIPTION     |           | PART NUMBER     |               |
| CHK              | Chris Wang | TE Connectivity |           | NAME            |               |
| APVD             | Xiang Xu   |                 |           |                 |               |
| PRODUCT SPEC     | 108-137045 | SIZE            | CAGE CODE | DRAWING NO      | RESTRICTED TO |
| APPLICATION SPEC | 114-137045 | A3              | 00779     | T2010164201000  | -             |
| WEIGHT           | -          | SCALE           |           | SHEET           |               |
| Customer Drawing | 1:1        | 1               |           | OF 1            |               |
|                  |            |                 |           | REV B           |               |

Printed on 9 Jun 2021 13:08 (China Standard Time) from TE236667