

THIS DRAWING IS UNPUBLISHED.

RELEASED FOR PUBLICATION

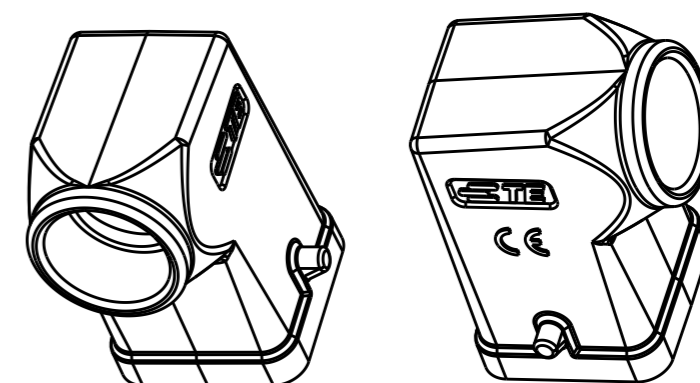
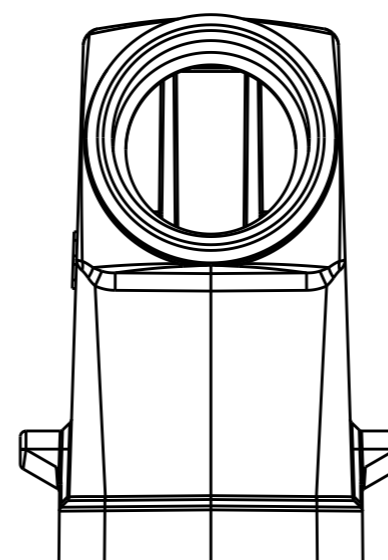
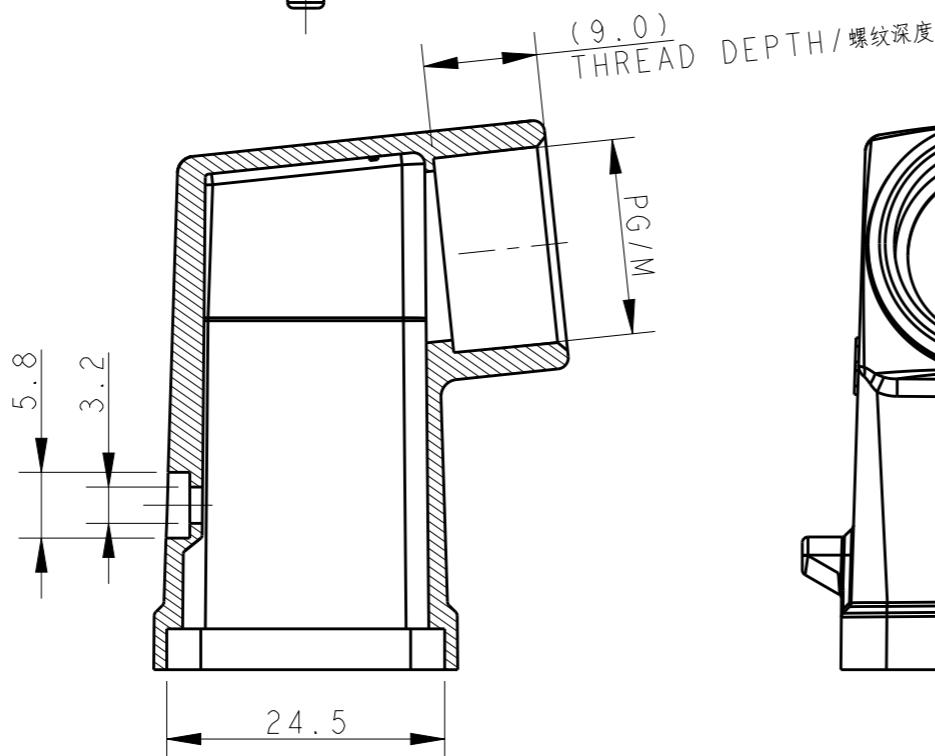
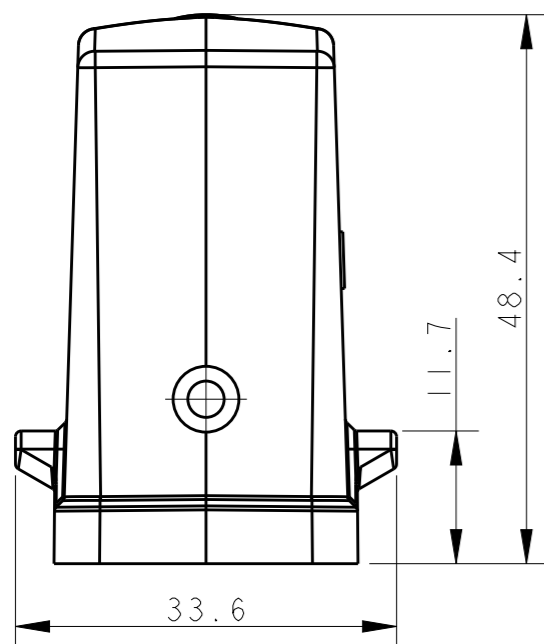
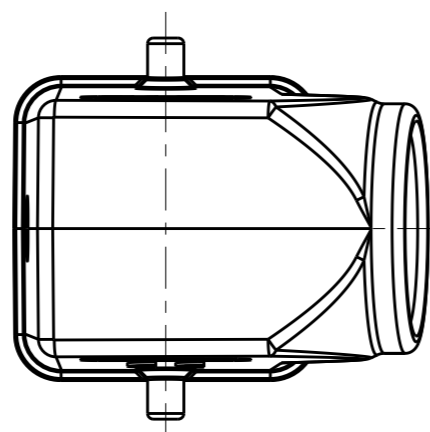
20

© COPYRIGHT 20 BY -

ALL RIGHTS RESERVED.

REVISIONS

P	LTR	DESCRIPTION	DATE	DWN	APVD
	A	INITIAL RELEASE	21APR2015	DL	CW
	A1	ECR-17-009215	24JUN2017	OY	CW
	B	ECR-20-007762	23NOV2020	BS	CW

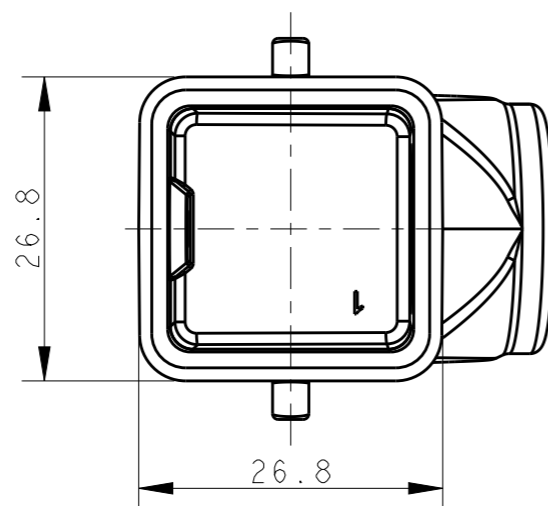


NOTES:

- 1. TECHNICAL CHARACTERISTICS:  
 BODY MATERIAL: DIE CAST ZINC ALLOY  
 SURFACE TREATMENT: POWDER-COATED, GRAY  
 DEGREE OF PROTECTION: IP65 (MATED)

注释:

- 1. 技术参数:  
 主体材料: 锌合金  
 表面处理: 粉末喷涂, 灰色  
 防护等级: IP65(配合)



T1319030111-000	H3A-MTS-PG11	H3A HOOD, SIDE ENTRY PG11, 2 EAR, POWDER COATED, GREY H3A上壳, 侧出PG11, 2耳, 灰色粉末喷涂	PG11
T1319030120-000	H3A-MTS-M20	H3A HOOD, SIDE ENTRY M20, 2 EAR, POWDER COATED, GREY H3A上壳, 侧出M20, 2耳, 灰色粉末喷涂	M20X1.5
PART NUMBER 料号	PART DESCRIPTION 描述		PG/M

THIS DRAWING IS A CONTROLLED DOCUMENT.

DIMENSIONS:	TOLERANCES UNLESS OTHERWISE SPECIFIED:
mm	
	0 PLC ±-
	1 PLC ±-
	2 PLC ±-
	3 PLC ±-
	4 PLC ±-
	ANGLES ±-
MATERIAL	FINISH
-	-
-	-

DWN	21APR2015
DAVID LI	
CHK	21APR2015
CHRIS WANG	
APVD	21APR2015
XU XIANG	
PRODUCT SPEC	108-137012
APPLICATION SPEC	114-137012
WEIGHT	-
CUSTOMER DRAWING	



NAME		H3A-MTS-PG/M	
SIZE	CAGE CODE	DRAWING NO	RESTRICTED TO
A3	-	©-T13190301XX000	
SCALE		SHEET	REV
3:2		1 OF 1	B