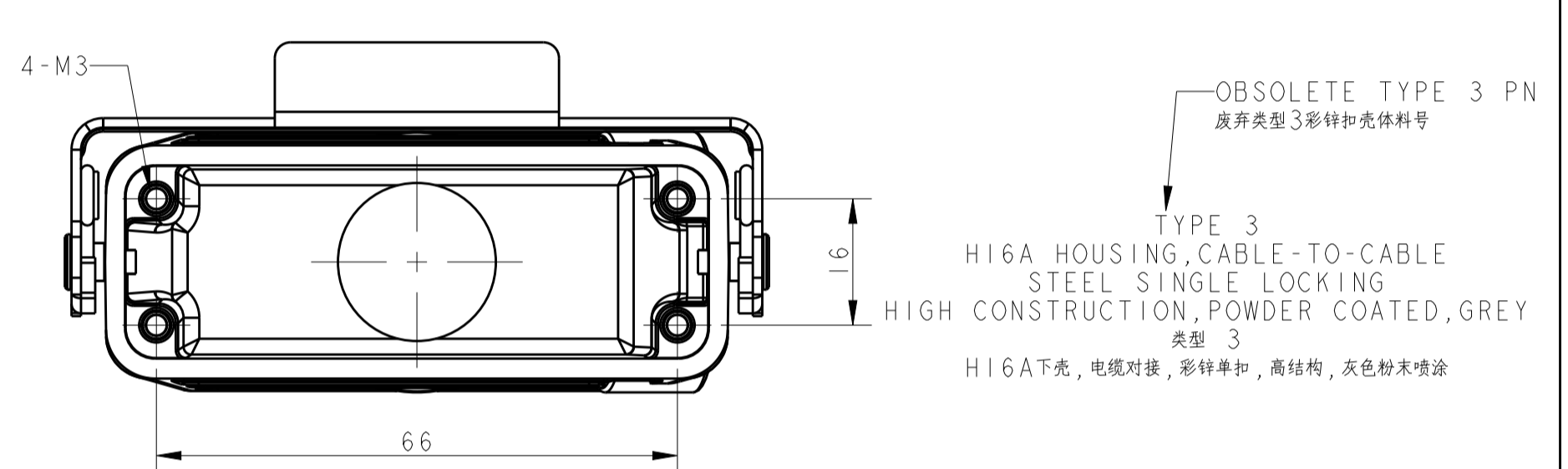
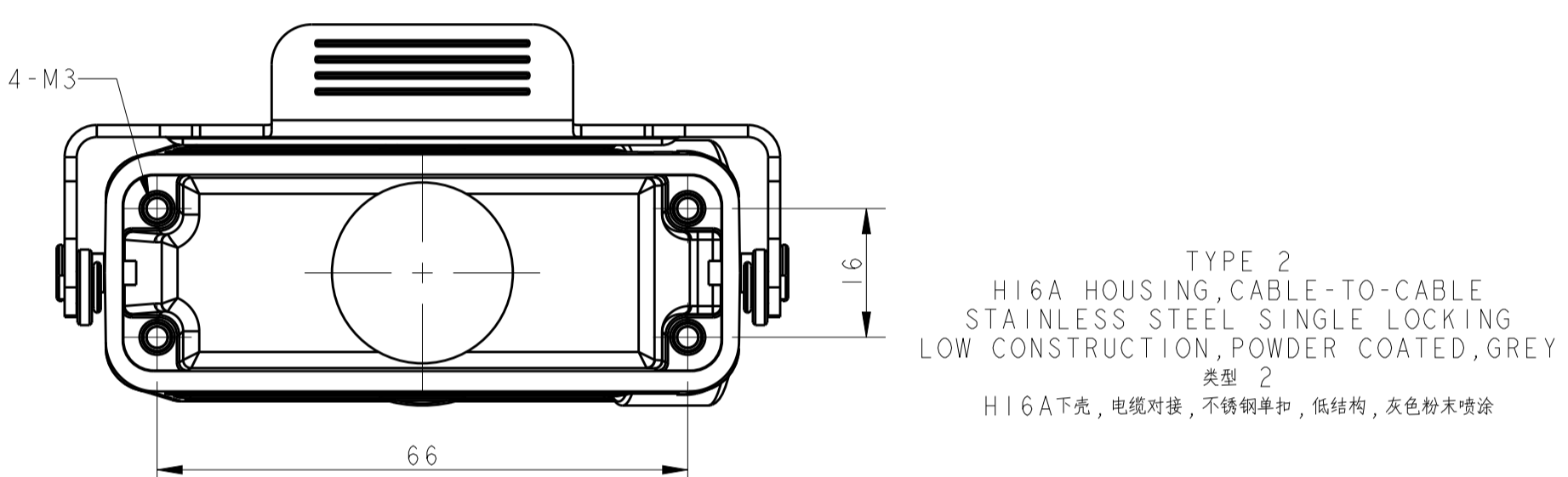
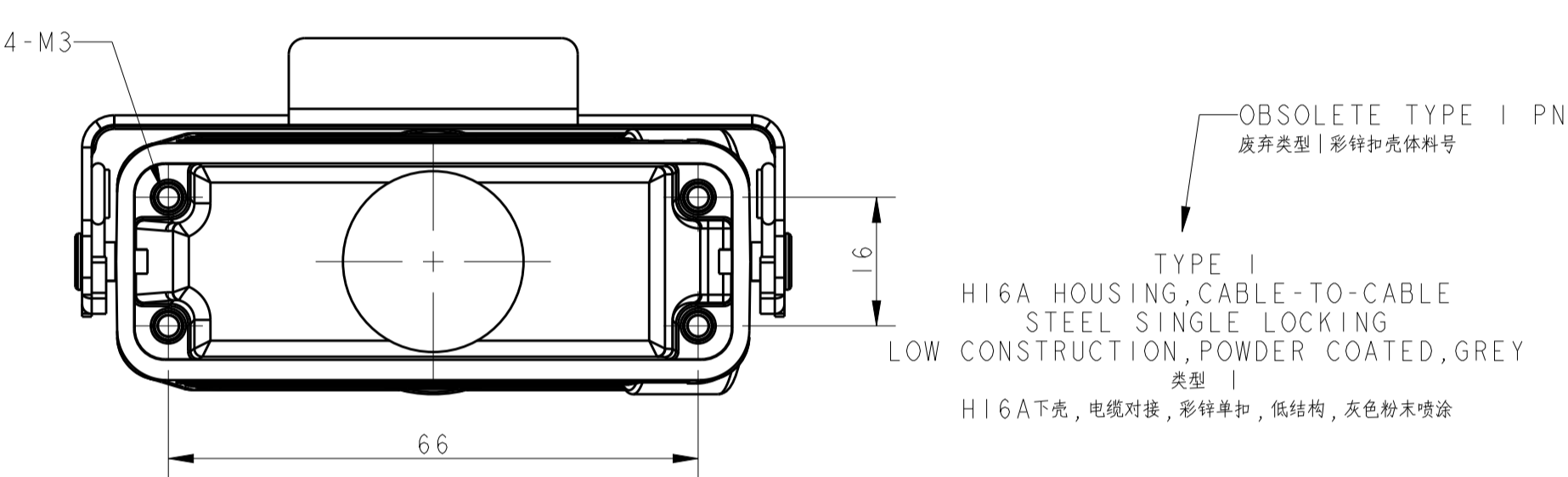
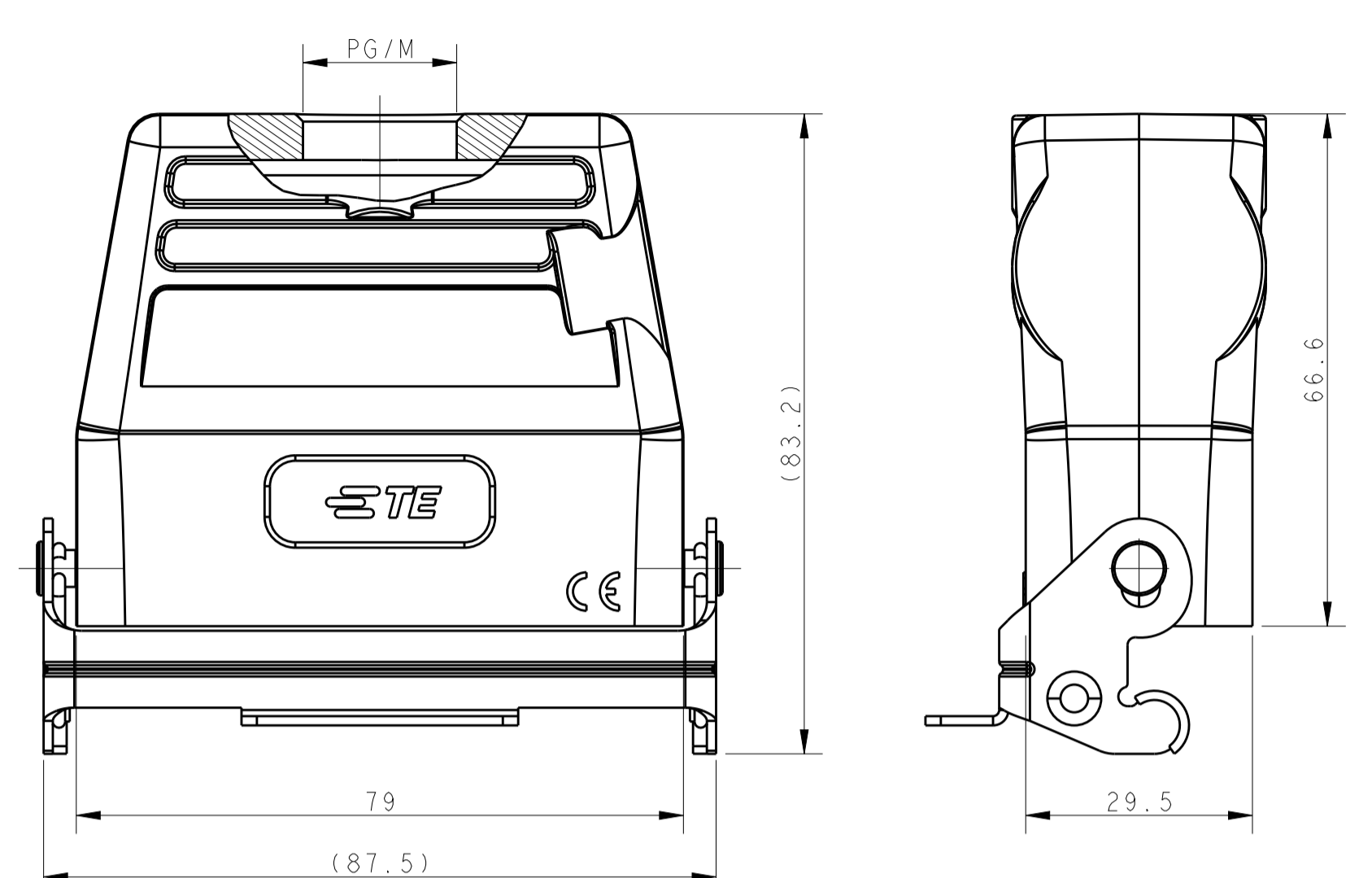
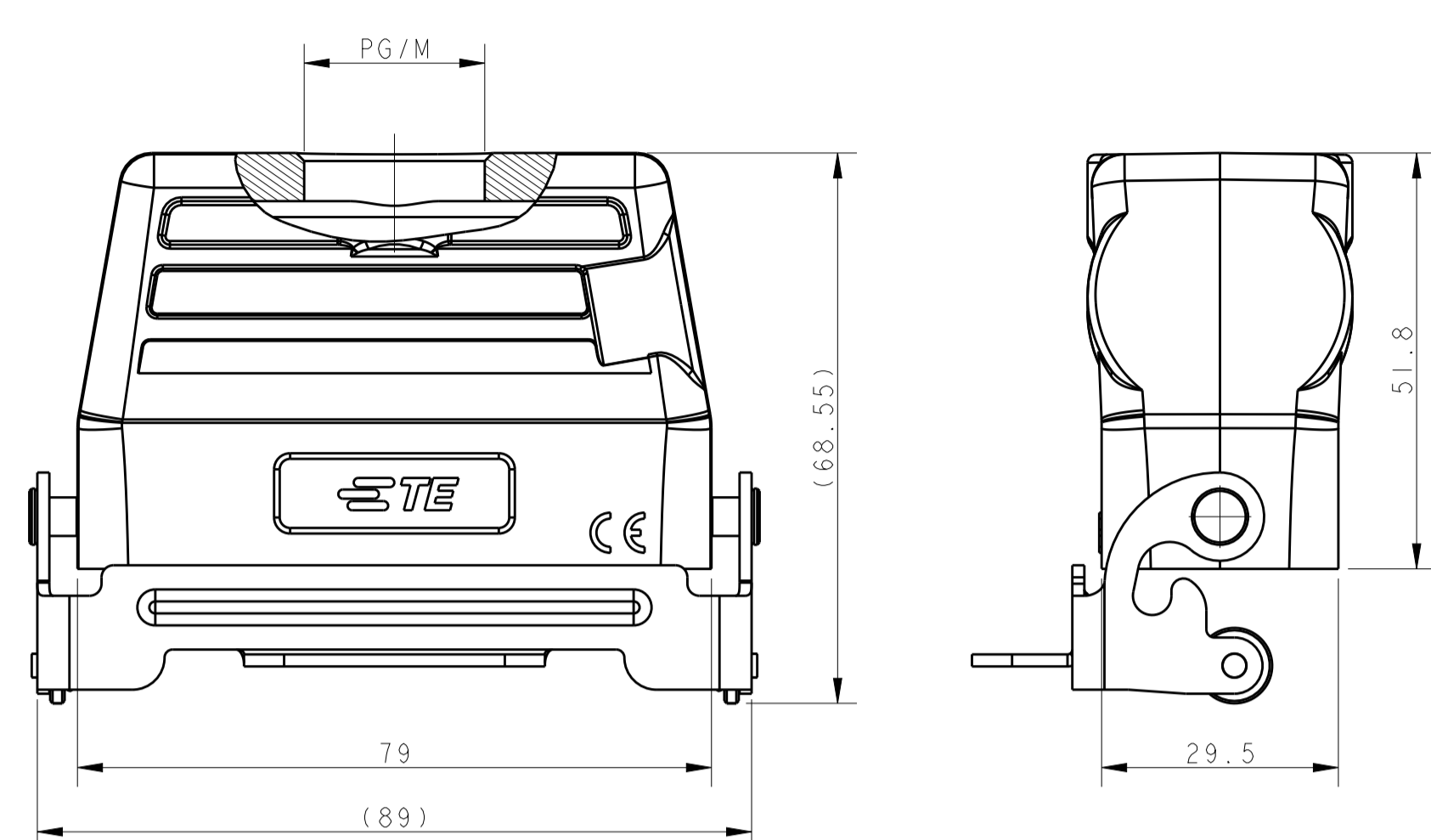
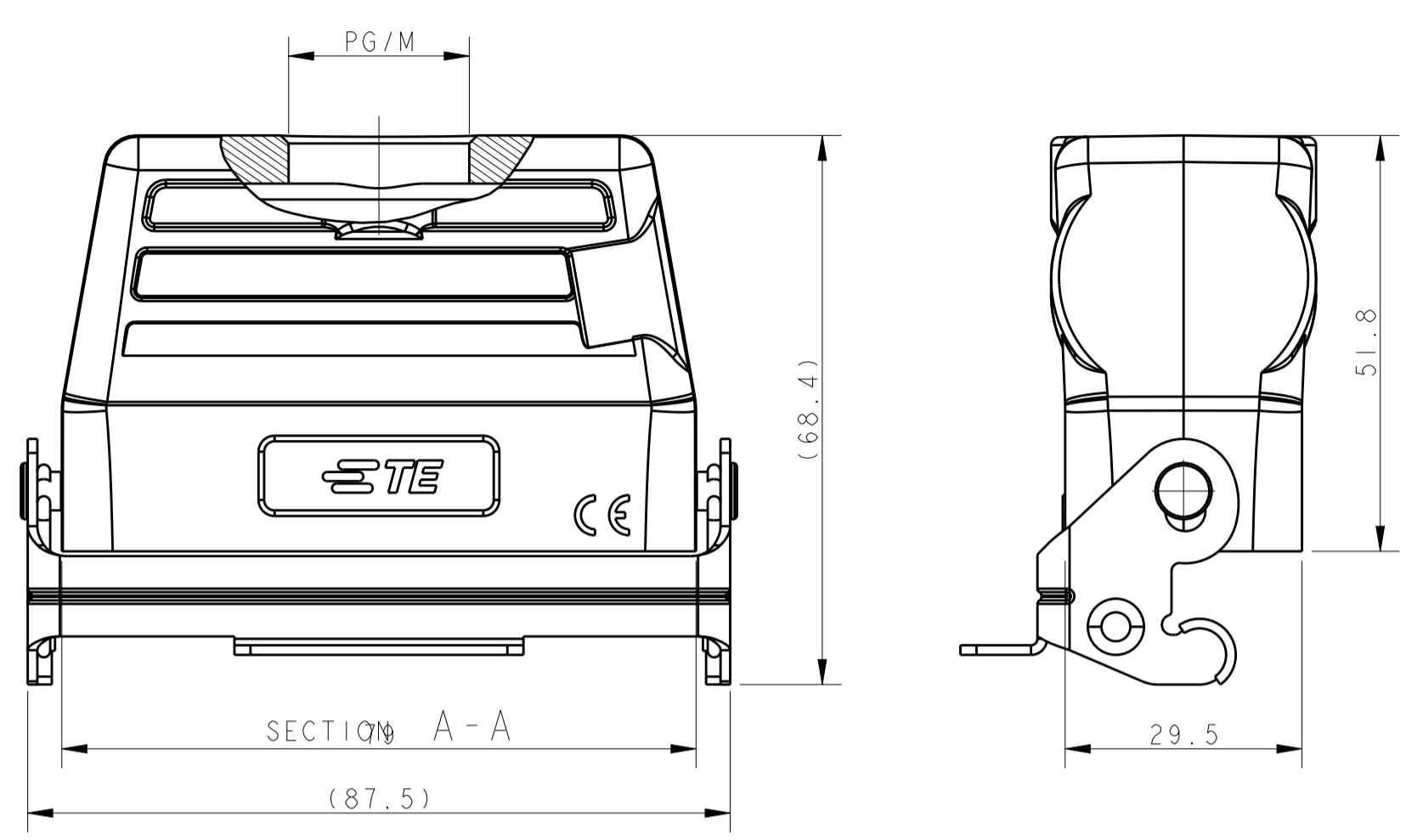


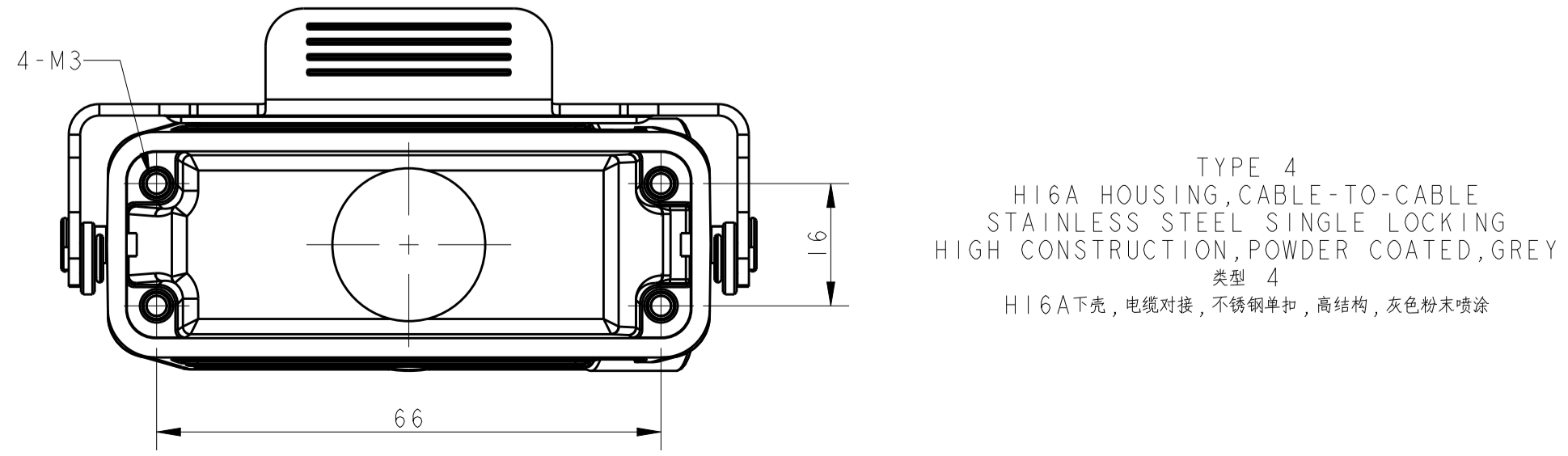
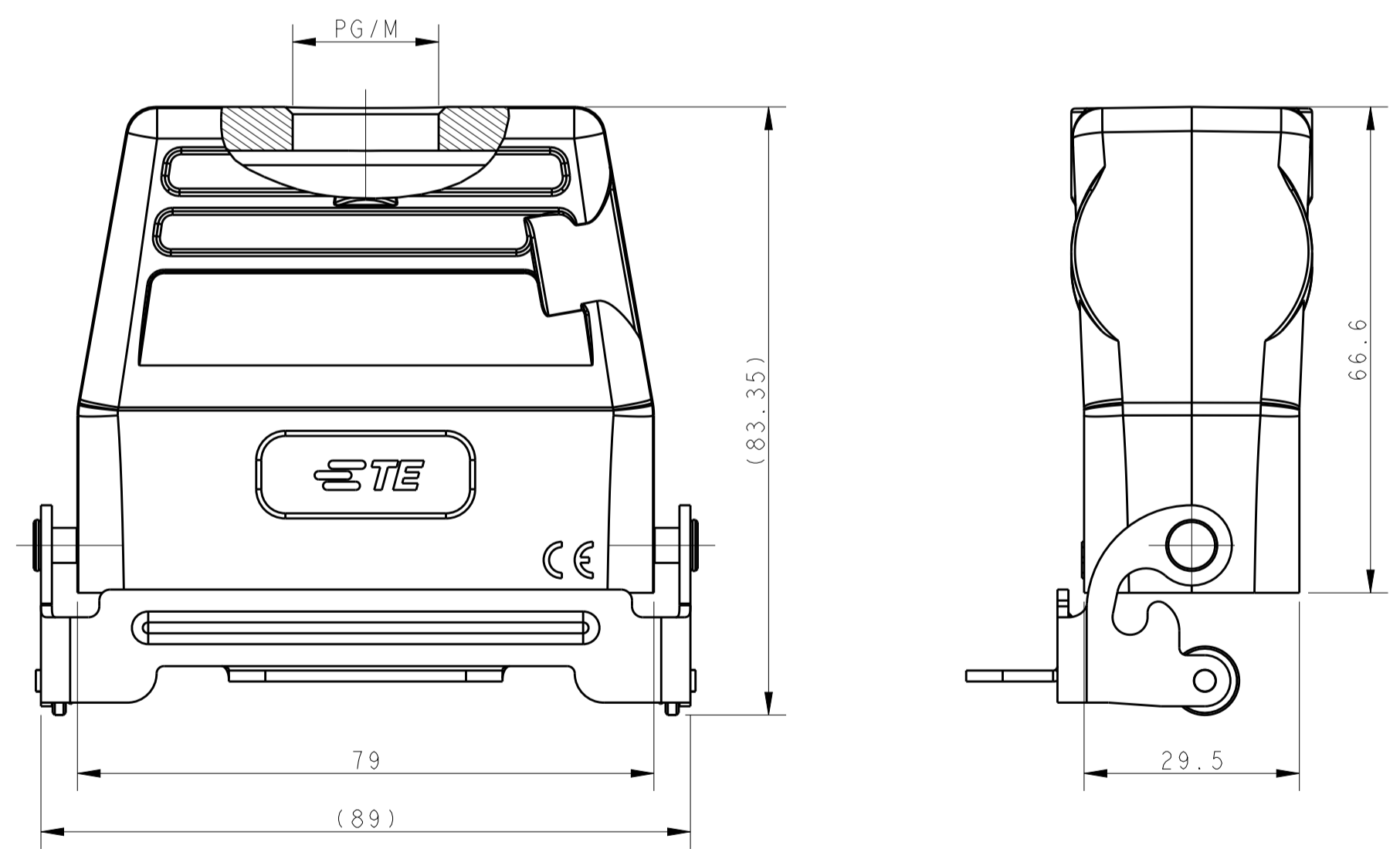
REVISIONS				
P.	LTN	DESCRIPTION	DATE	OWN APVD
A		INITIAL RELEASE	08MAY2015	DL CW
A1		ECR-16-018055	21DEC2016	DL CW
B		ECR-20-009510	28DEC2020	BS CW



OBSOLETE TYPE 1 PN  
 废弃类型1彩锌扣壳体料号  
**TYPE 1**  
 HI6A HOUSING, CABLE-TO-CABLE  
 STEEL SINGLE LOCKING  
 LOW CONSTRUCTION, POWDER COATED, GREY  
 类型 1  
 HI6A下壳, 电缆对接, 彩锌扣, 低结构, 灰色粉末喷涂

**TYPE 2**  
 HI6A HOUSING, CABLE-TO-CABLE  
 STAINLESS STEEL SINGLE LOCKING  
 LOW CONSTRUCTION, POWDER COATED, GREY  
 类型 2  
 HI6A下壳, 电缆对接, 不锈钢扣, 低结构, 灰色粉末喷涂

OBSOLETE TYPE 3 PN  
 废弃类型3彩锌扣壳体料号  
**TYPE 3**  
 HI6A HOUSING, CABLE-TO-CABLE  
 STEEL SINGLE LOCKING  
 HIGH CONSTRUCTION, POWDER COATED, GREY  
 类型 3  
 HI6A下壳, 电缆对接, 彩锌扣, 高结构, 灰色粉末喷涂



**TYPE 4**  
 HI6A HOUSING, CABLE-TO-CABLE  
 STAINLESS STEEL SINGLE LOCKING  
 HIGH CONSTRUCTION, POWDER COATED, GREY  
 类型 4  
 HI6A下壳, 电缆对接, 不锈钢扣, 高结构, 灰色粉末喷涂

OBSOLETE	T1739160116-000	HI6A-TBF-PG16	HI6A HOUSING, CABLE-TO-CABLE STEEL SINGLE LOCKING LOW CONSTRUCTION, POWDER COATED, GREY HI6A下壳, 电缆对接, 彩锌扣, 低结构, 灰色粉末喷涂	PG16	TYPE 1
OBSOLETE	T1739160120-000	HI6A-TBF-M20		M20	
OBSOLETE	T1739160121-000	HI6A-TBF-PG21		PG21	
OBSOLETE	T1739160125-000	HI6A-TBF-M25		M25	
	T1739161116-000	HI6A-TBFS-PG16	HI6A HOUSING, CABLE-TO-CABLE STAINLESS STEEL SINGLE LOCKING LOW CONSTRUCTION, POWDER COATED, GREY HI6A下壳, 电缆对接, 不锈钢扣, 低结构, 灰色粉末喷涂	PG16	TYPE 2
	T1739161120-000	HI6A-TBFS-M20		M20	
	T1739161121-000	HI6A-TBFS-PG21		PG21	
	T1739161125-000	HI6A-TBFS-M25		M25	
OBSOLETE	T1779160116-000	HI6A-TBFH-PG16	HI6A HOUSING, CABLE-TO-CABLE STEEL SINGLE LOCKING HIGH CONSTRUCTION, POWDER COATED, GREY HI6A下壳, 电缆对接, 彩锌扣, 高结构, 灰色粉末喷涂	PG16	TYPE 3
OBSOLETE	T1779160120-000	HI6A-TBFH-M20		M20	
OBSOLETE	T1779160121-000	HI6A-TBFH-PG21		PG21	
OBSOLETE	T1779160125-000	HI6A-TBFH-M25		M25	
	T1779161116-000	HI6A-TBFHS-PG16	HI6A HOUSING, CABLE-TO-CABLE STAINLESS STEEL SINGLE LOCKING HIGH CONSTRUCTION, POWDER COATED, GREY HI6A下壳, 电缆对接, 不锈钢扣, 高结构, 灰色粉末喷涂	PG16	TYPE 4
	T1779161120-000	HI6A-TBFHS-M20		M20	
	T1779161121-000	HI6A-TBFHS-PG21		PG21	
	T1779161125-000	HI6A-TBFHS-M25		M25	
	<b>PART NUMBER</b> 料号	<b>PART DESCRIPTION</b> 描述		<b>PG/M THREAD</b> PG/M螺纹孔	<b>TYPE</b> 类型

NOTES:  
 1. TECHNICAL CHARACTERISTICS:  
 BODY MATERIAL: DIE CAST ALUMINIUM ALLOY  
 SURFACE TREATMENT: POWDER-COATED, GRAY  
 DEGREE OF PROTECTION: IP65 (MATED)

注释:  
 1. 技术参数:  
 主体材料: 铝合金  
 表面处理: 粉末喷涂, 灰色  
 防护等级: IP65(配合)

THIS DRAWING IS A CONTROLLED DOCUMENT. OWN: DAVID LI 08MAY2015  
 CHK: CHRIS WANG 08MAY2015  
 APVD: XU XIANG 08MAY2015

DIMENSIONS: mm  
 TOLERANCES UNLESS OTHERWISE SPECIFIED:  
 0 PLC ±  
 2 PLC ±  
 3 PLC ±  
 4 PLC ±  
 ANGLES ±

MATERIAL: FINISH: WEIGHT: CUSTOMER DRAWING

PRODUCT SPEC: 108-137010  
 APPLICATION SPEC: 114-137010

NAME: HI6A-TBF\*/TBFH\*-PG/M  
 SIZE: A1  
 CAGE CODE: DRAWING NO: C=T17X916XXXX000  
 RESTRICTED TO: SCALE: 5:4 SHEET 1 OF 1 REV B

**STE** TE Connectivity