

THIS DRAWING IS UNPUBLISHED.

RELEASED FOR PUBLICATION

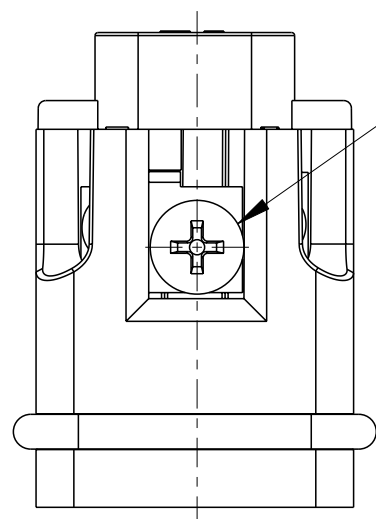
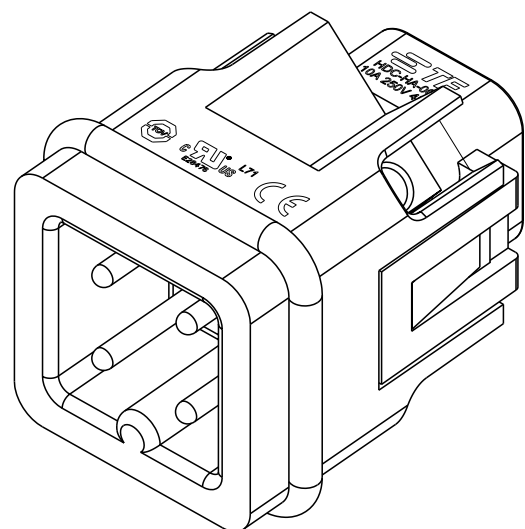
20

© COPYRIGHT 20 BY -

ALL RIGHTS RESERVED.

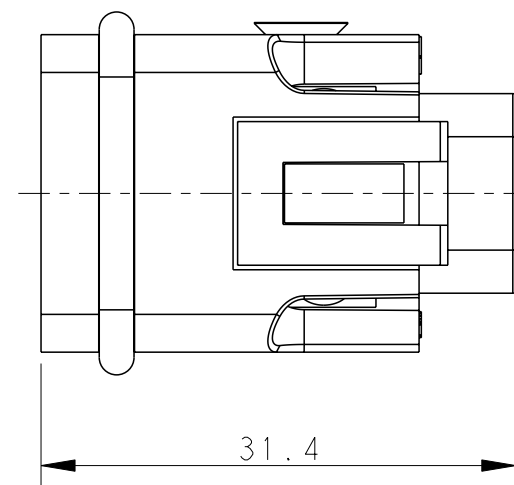
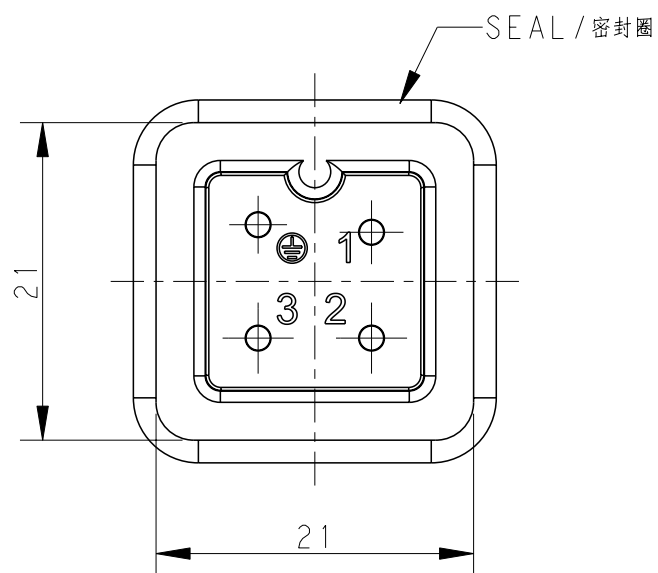
REVISIONS

P	LTR	DESCRIPTION	DATE	DWN	APVD
	B	ECR-15-013750	19SEP2015	DW	CW
	B1	ECR-15-016224	05NOV2015	DW	CW
	B2	ECR-16-017507	12DEC2016	QY	CW
	C	ECR-20-016101	09JUN2021	BS	CW



M3 SCREW, RECOMMENDED  
TIGHTENING TORQUE 0.5Nm  
M3 螺丝, 推荐锁紧力矩0.5Nm

TYPE-1, T2010032101-000, TE LOGO  
类型-1, T2010032101-000, TE LOGO

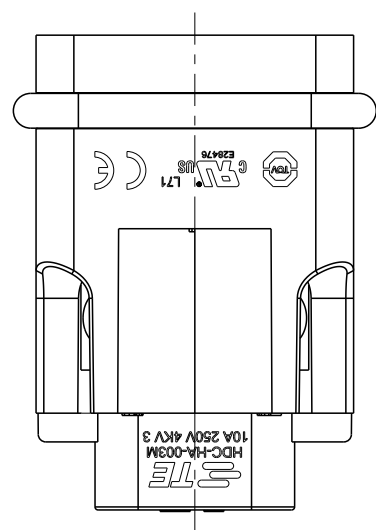


NOTES:

- TECHNICAL CHARACTERISTICS:  
INSULATION MATERIAL: PC  
RATED VOLTAGE: 250 V  
RATED CURRENT: 10 A  
INSULATION RESISTANCE:  $\geq 400M\Omega$   
RATED IMPULSE VOLTAGE: 4 KV  
POLLUTION DEGREE: 3  
FLAMMABILITY: UL94V-0  
MATING CYCLES: 500 CYCLES  
WIRE RANGE: 0.5-2.5 mm<sup>2</sup> (20-14 AWG)  
CONTACT FINISH: SILVER PLATED  
CONTACT TYPE: SCREW CONTACT

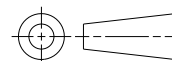
注释:

- 技术参数:  
绝缘材料: PC  
额定电压: 250V  
额定电流: 10A  
绝缘电阻:  $\geq 400M\Omega$   
额定脉冲电压: 4 KV  
污染等级: 3  
阻燃等级: UL94V-0  
插拔次数: 500 次  
接线范围: 0.5-2.5 mm<sup>2</sup> (20-14 AWG)  
端子表面处理: 镀银  
接线类型: 螺丝连接



THIS DRAWING IS A CONTROLLED DOCUMENT.

DIMENSIONS:  
mm



TOLERANCES UNLESS OTHERWISE SPECIFIED:  
0 PLC ±-  
1 PLC ±-  
2 PLC ±-  
3 PLC ±-  
4 PLC ±-  
ANGLES ±-

MATERIAL  
-

FINISH  
-

DWN DAVID WANG 16DEC2014  
CHK CHRIS WANG 16DEC2014  
APVD XU XIANG 16DEC2014

PRODUCT SPEC 108-137045  
APPLICATION SPEC 114-137045

WEIGHT -  
Customer Drawing



TE Connectivity

NAME HA-003-M

SIZE A3 CAGE CODE 00779 DRAWING NO. T2010032101000 RESTRICTED TO -

SCALE 2:1 SHEET 1 OF 2 REV C

