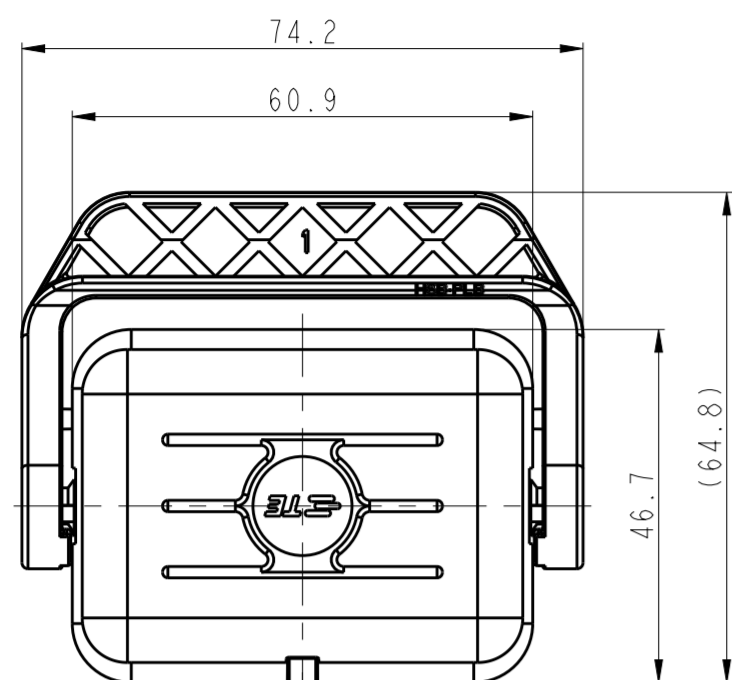
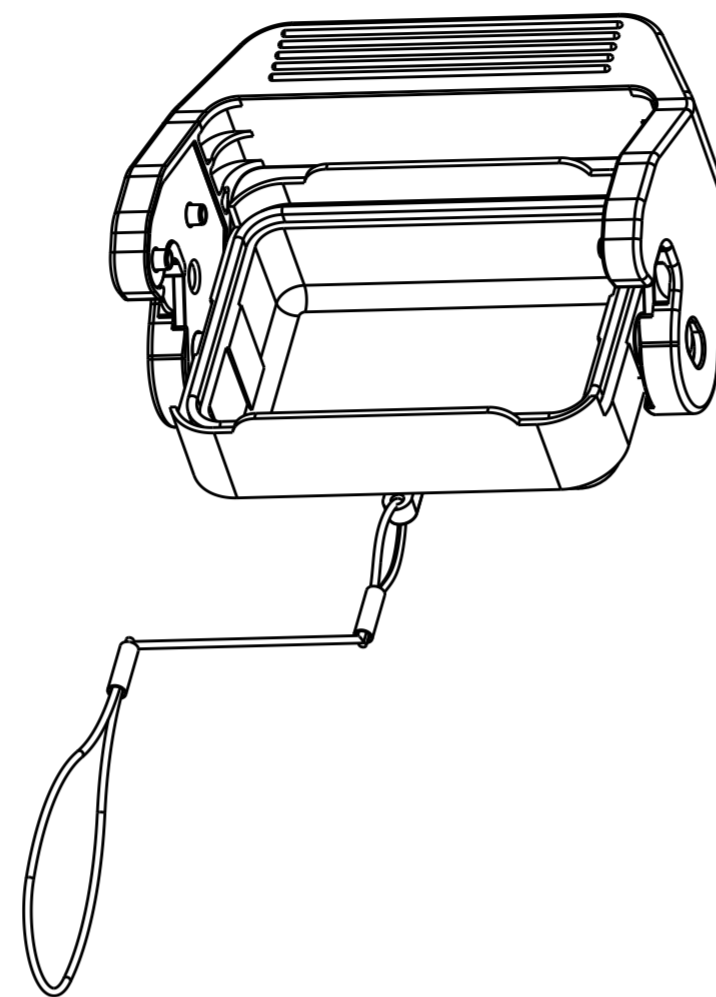


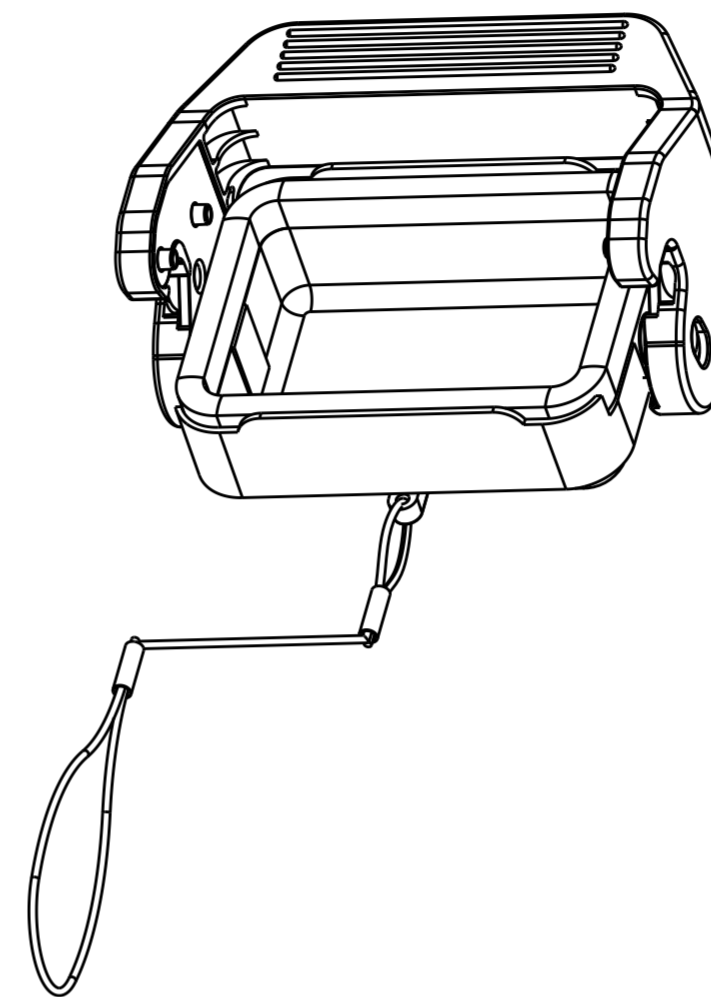
REVISIONS					
P	LTR	DESCRIPTION	DATE	DWN	APVD
A		INITIAL	28NOV2016	CH	CW
AI		ECR-17-007543	27MAY2017	CH	CW



TRANSPARENT NYLON ROPE:
 TOTAL LENGTH 380mm,
 DIA. \varnothing 1.0mm
 透明尼龙绳: 总长380mm, 直径 \varnothing 1.0mm



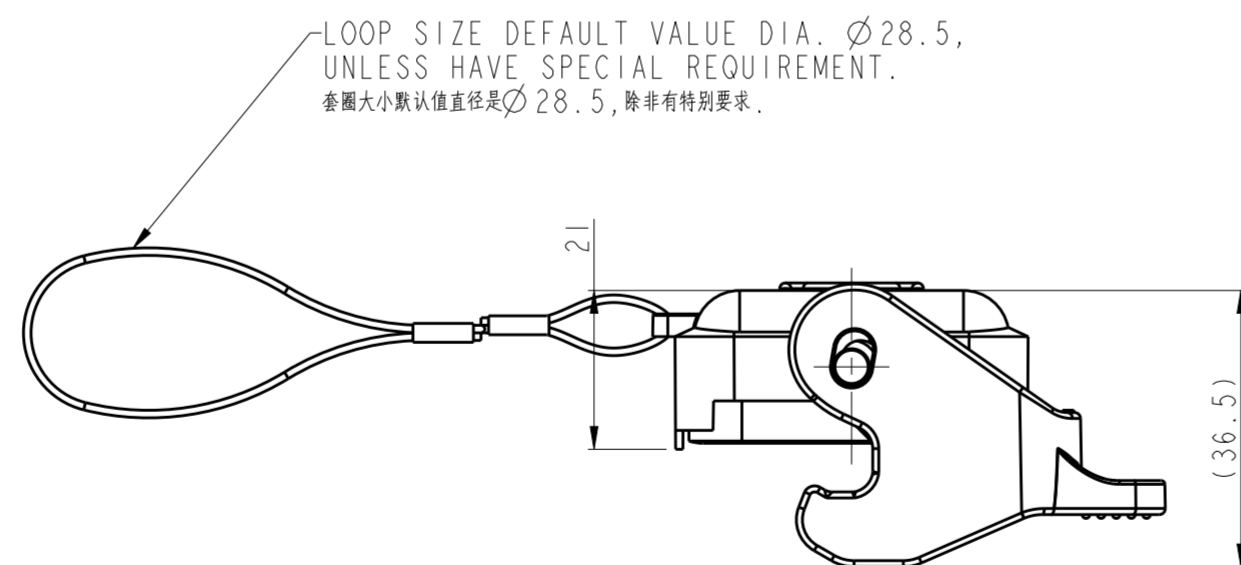
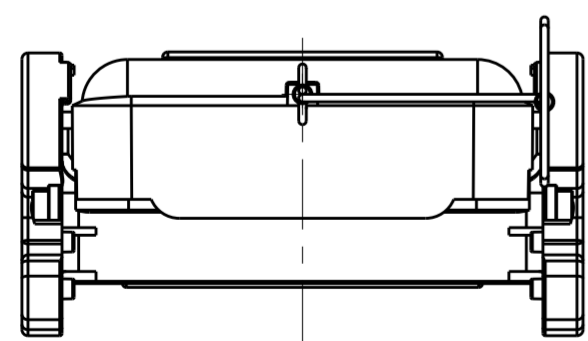
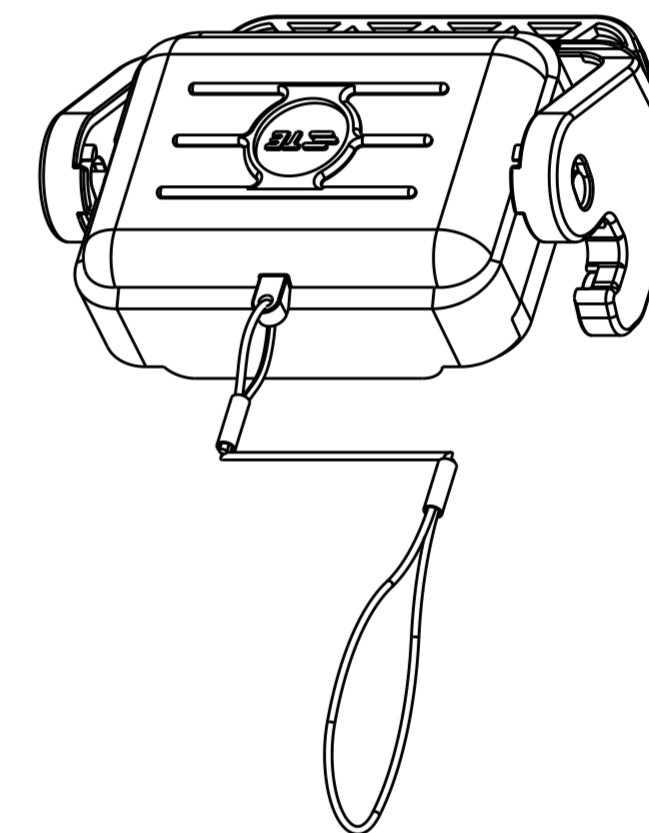
TYPE 1: H6B HOOD PLASTIC PROTECTION COVER,
 PLASTIC SINGLE LOCKING, WITHOUT SEALING,
 NYLON ROPE, GREY
 类型1: H6B上壳塑料保护盖, 塑料单扣, 不带密封, 尼龙绳, 灰色



TYPE 2: H6B HOOD PLASTIC PROTECTION COVER,
 PLASTIC SINGLE LOCKING, SEALING,
 NYLON ROPE, GREY
 类型2: H6B上壳塑料保护盖, 塑料单扣, 带密封, 尼龙绳, 灰色

NOTES:
 1. TECHNICAL CHARACTERISTICS:
 COVER MATERIAL: PC, GREY
 PLASTIC SINGLE LOCKING MATERIAL: NYLON, GREY

注释:
 1. 技术参数:
 保护盖材质: PC, 灰色
 塑料单扣材质: 尼龙, 灰色



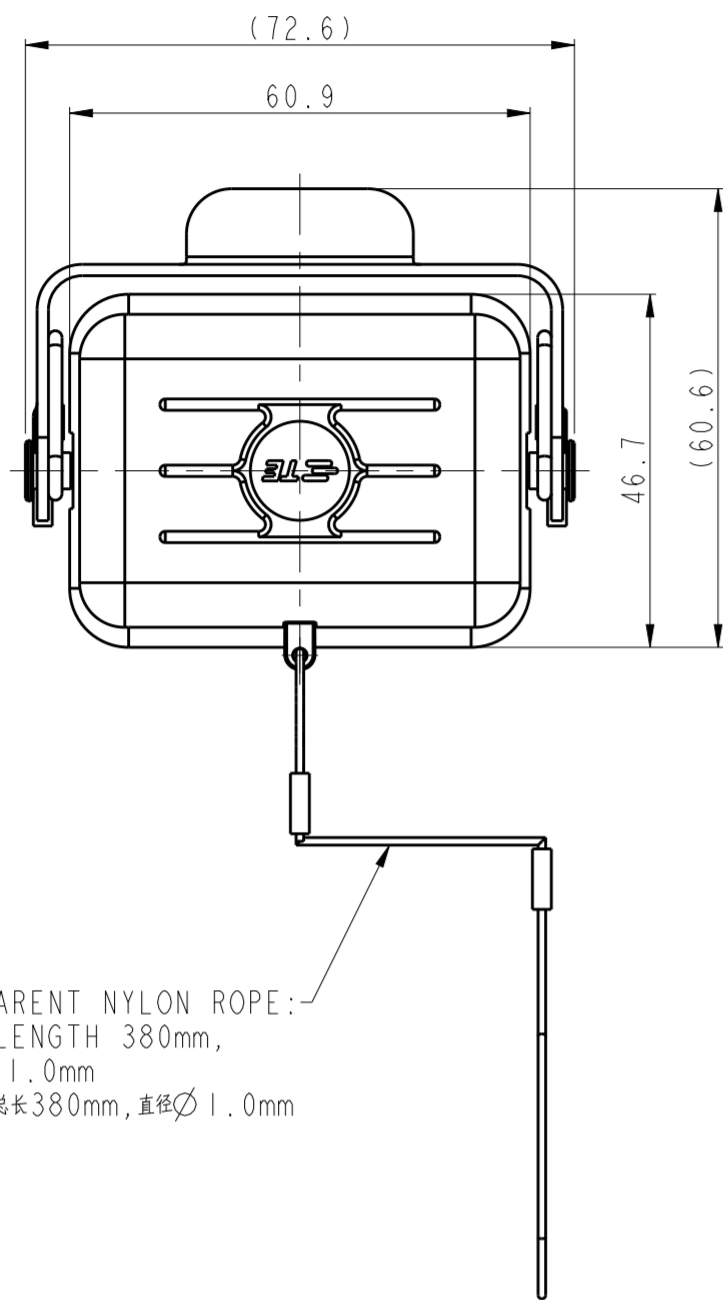
LOOP SIZE DEFAULT VALUE DIA. \varnothing 28.5,
 UNLESS HAVE SPECIAL REQUIREMENT.
 套圈大小默认直径是 \varnothing 28.5, 除非有特别要求.

PART NUMBER	PART DESCRIPTION	TYPE
料号	描述	类型
T1010061200-000	H6B-KDTP H6B HOOD PLASTIC PROTECTION COVER, PLASTIC SINGLE LOCKING, SEALING, NYLON ROPE, GREY H6B上壳塑料保护盖, 塑料单扣, 带密封, 尼龙绳, 灰色	TYPE 2 类型2
T1010061100-000	H6B-KDTP-NR H6B HOOD PLASTIC PROTECTION COVER, PLASTIC SINGLE LOCKING, WITHOUT SEALING, NYLON ROPE, GREY H6B上壳塑料保护盖, 塑料单扣, 不带密封, 尼龙绳, 灰色	TYPE 1 类型1

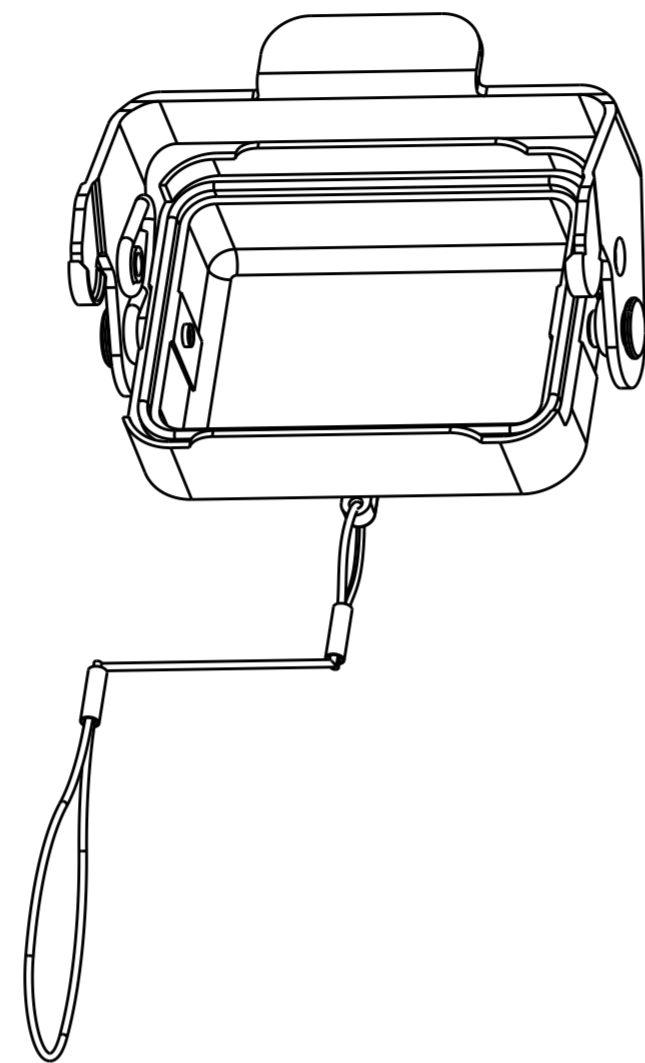
THIS DRAWING IS A CONTROLLED DOCUMENT.		DWN 28NOV2016 CHARLIE HU	TE Connectivity	
DIMENSIONS: mm		CHK 28NOV2016 KYLE ZENG		
TOLERANCES UNLESS OTHERWISE SPECIFIED:		APVD 28NOV2016 CHRIS WANG	NAME H6B-KDTP/KDTPM-NR	
0 PLC \pm 1 PLC \pm 2 PLC \pm 3 PLC \pm 4 PLC \pm ANGLES \pm FINISH -		PRODUCT SPEC -	SIZE A2	CAGE CODE -
MATERIAL -		APPLICATION SPEC -	DRAWING NO G-T1010061X0000	RESTRICTED TO -
-		WEIGHT -	SCALE 1:1	SHEET 1 OF 2
-		CUSTOMER DRAWING	REV AI	

THIS DRAWING IS UNPUBLISHED. RELEASED FOR PUBLICATION 20
 © COPYRIGHT 20 BY - ALL RIGHTS RESERVED.

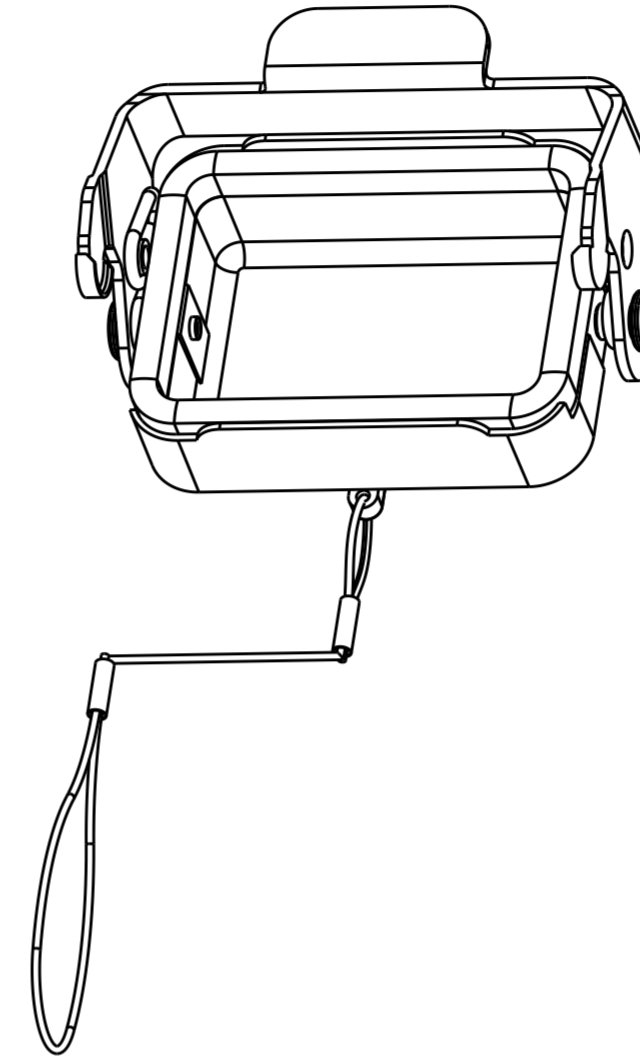
REVISIONS				
P	LTR	DESCRIPTION	DATE	APVD
-	-	SEE SHEET 1	-	-



TRANSPARENT NYLON ROPE:
 TOTAL LENGTH 380mm,
 DIA. Ø1.0mm
 透明尼龙绳: 总长380mm, 直径Ø1.0mm



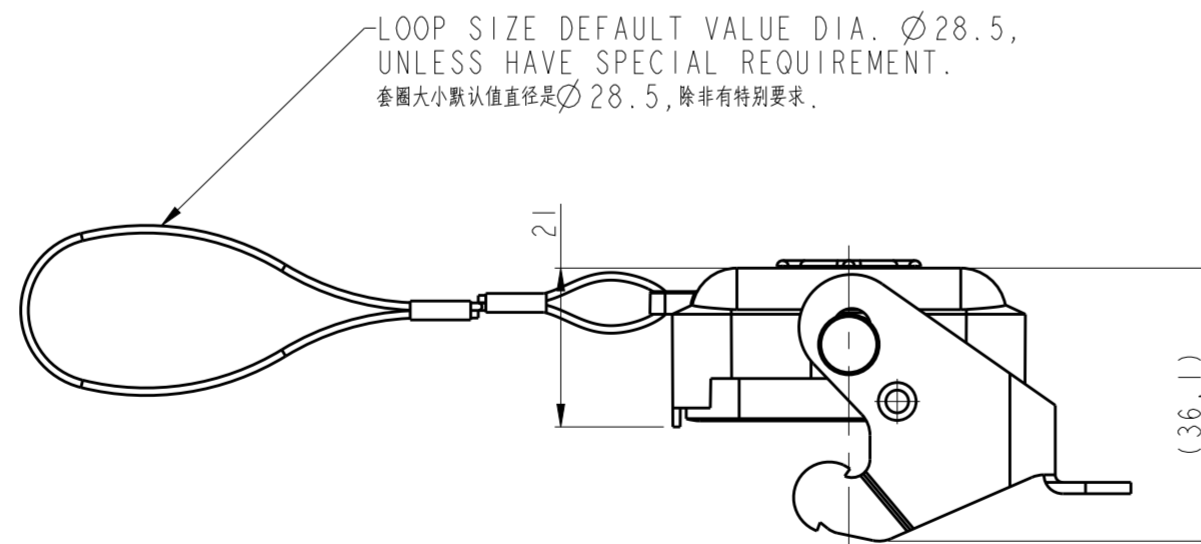
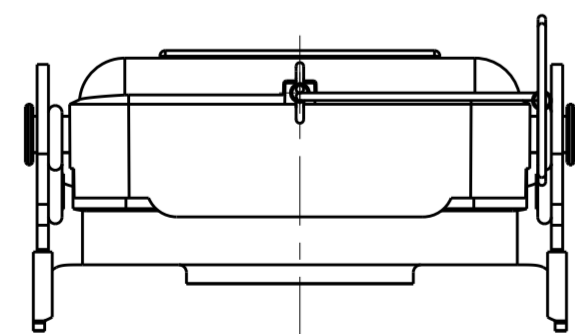
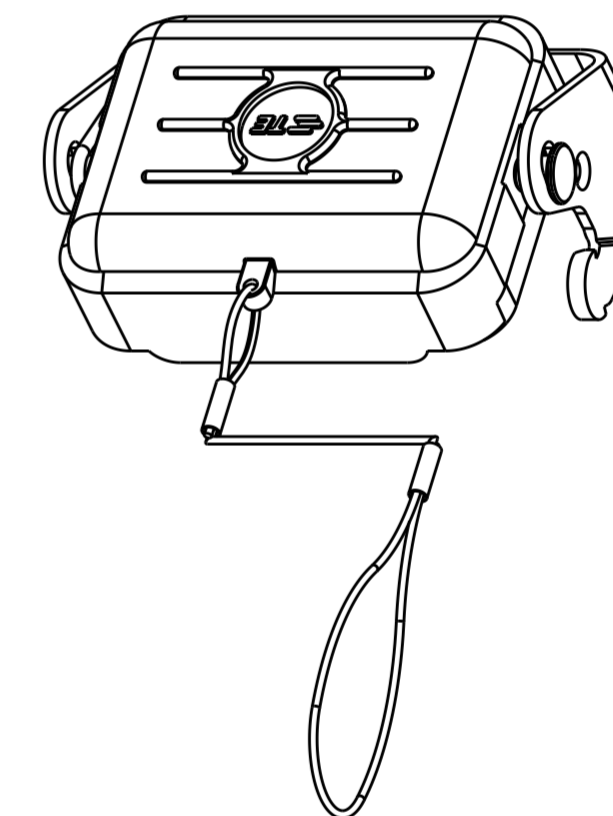
TYPE 3: H6B HOOD PLASTIC PROTECTION COVER,
 METAL SINGLE LOCKING, WITHOUT SEALING,
 NYLON ROPE, GREY
 类型3: H6B上壳塑料保护盖, 彩锌单扣, 不带密封, 尼龙绳, 灰色



TYPE 4: H6B HOOD PLASTIC PROTECTION COVER,
 METAL SINGLE LOCKING, SEALING,
 NYLON ROPE, GREY
 类型4: H6B上壳塑料保护盖, 彩锌单扣, 带密封, 尼龙绳, 灰色

NOTES:
 1. TECHNICAL CHARACTERISTICS:
 COVER MATERIAL: PC, GREY
 STEEL SINGLE LOCKING MATERIAL: SPCC, COLOR ZINC PLATED

注释:
 1. 技术参数:
 保护盖材质: PC, 灰色
 彩锌单扣材质: 冷轧板, 镀锌



T1010061400-000	H6B-KDTPM	H6B HOOD PLASTIC PROTECTION COVER, METAL SINGLE LOCKING, SEALING, NYLON ROPE, GREY H6B上壳塑料保护盖, 彩锌单扣, 带密封, 尼龙绳, 灰色	TYPE 4 类型4
T1010061300-000	H6B-KDTPM-NR	H6B HOOD PLASTIC PROTECTION COVER, METAL SINGLE LOCKING, WITHOUT SEALING, NYLON ROPE, GREY H6B上壳塑料保护盖, 彩锌单扣, 不带密封, 尼龙绳, 灰色	TYPE 3 类型3
PART NUMBER 料号	PART DESCRIPTION 描述		TYPE 类型

THIS DRAWING IS A CONTROLLED DOCUMENT.		DWN CHARLIE HU 28NOV2016	TE Connectivity	
DIMENSIONS: mm		CHK KYLE ZENG 28NOV2016		
TOLERANCES UNLESS OTHERWISE SPECIFIED:		APVD CHRIS WANG 28NOV2016	NAME H6B-KDTP/KDTPM-NR	
0 PLC ±		PRODUCT SPEC	SIZE A2	
1 PLC ±		APPLICATION SPEC	CAGE CODE	
2 PLC ±		WEIGHT	DRAWING NO G-T1010061X0000	
3 PLC ±		CUSTOMER DRAWING	RESTRICTED TO	
4 PLC ±		SCALE 1:1	SHEET 2 OF 2	
ANGLES ±		REV A1		
FINISH				