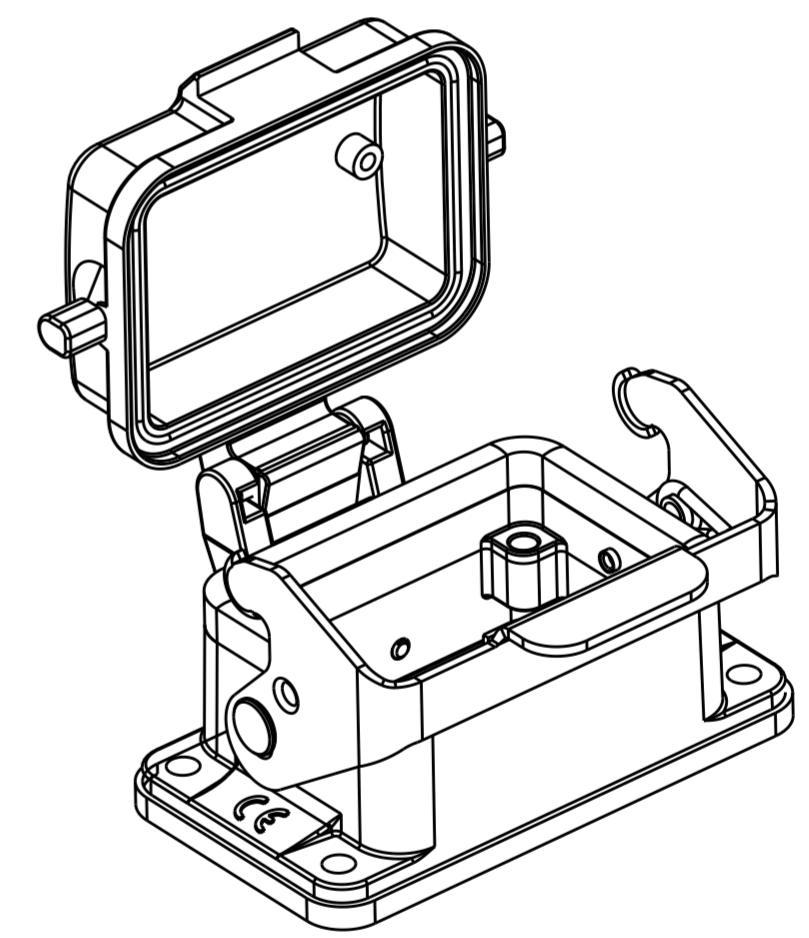
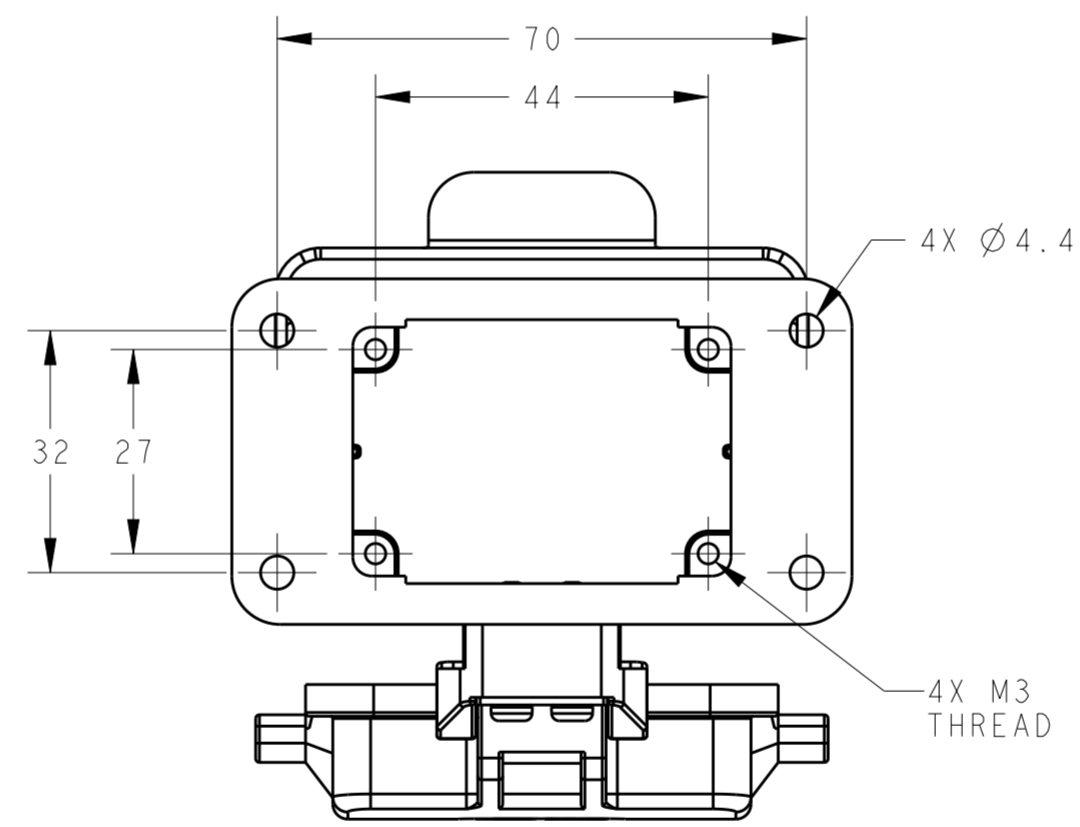
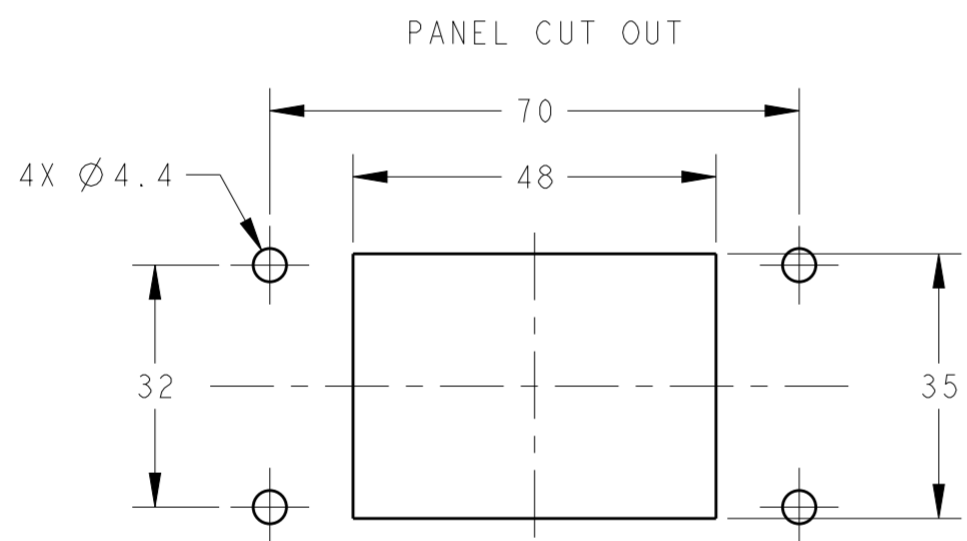
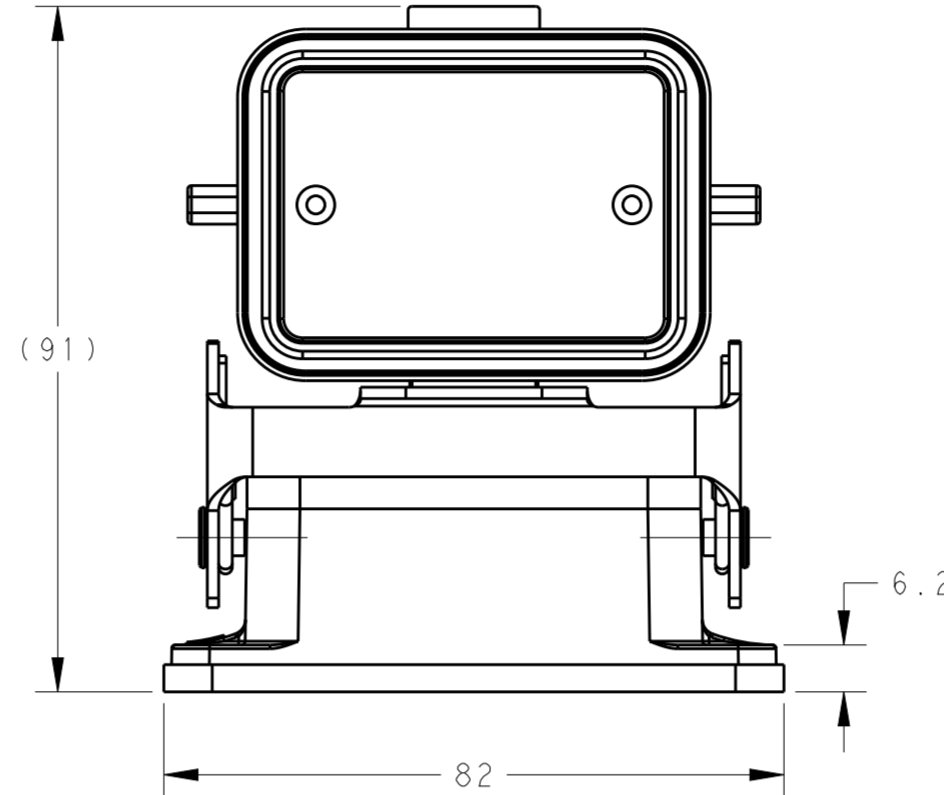
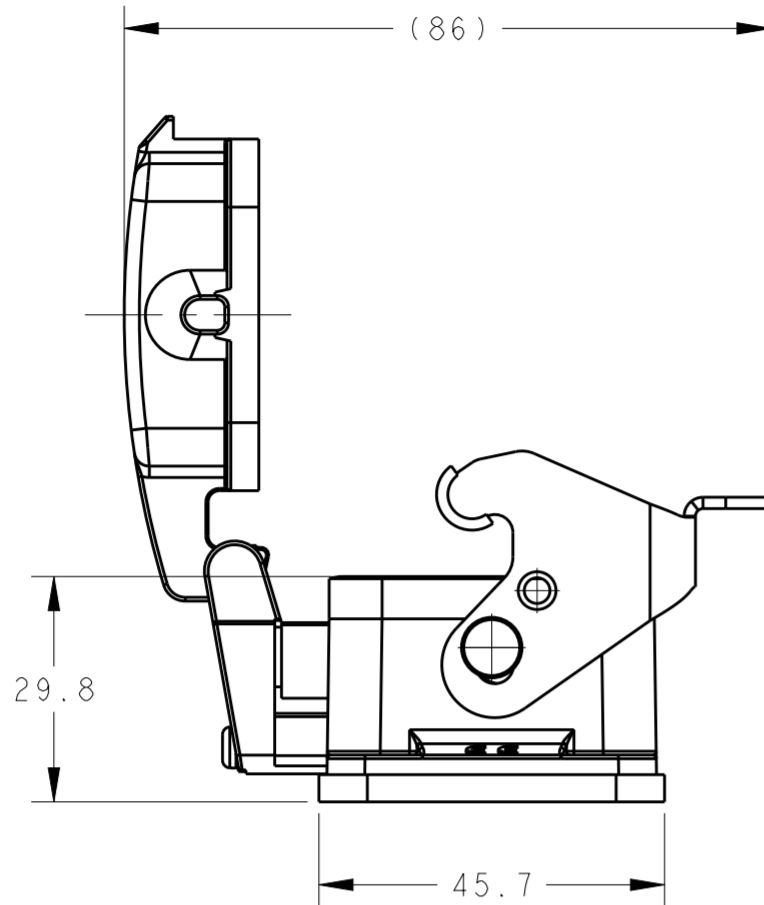


THIS DRAWING IS UNPUBLISHED. RELEASED FOR PUBLICATION 20
 © COPYRIGHT 20 BY - ALL RIGHTS RESERVED.

REVISIONS					
P	LTR	DESCRIPTION	DATE	DWN	APVD
	A	INITIAL	18JUN2015	DW	CW
	A1	ECR-15-012067	10AUG2015	DW	CW
	B	ECR-20-007968	08JUN2020	WOR	CW



NOTES:
 1. TECHNICAL CHARACTERISTICS:
 HOUSING MATERIAL: DIE CAST ALUMINIUM ALLOY
 SURFACE: POWDER COATED, GREY
 DEGREE OF PROTECTION: IP65 (MATED)

注释:
 1. 技术参数:
 下壳材料: 铝合金
 表面处理: 粉末涂层, 灰色
 防护等级: IP65(配合)

T1510063000-000	H6B-AD	H6B HOUSING, BULKHEAD MOUNTED, METAL SINGLE LOCKING, PLASTIC PROTECTION COVER, POWDER COATED, GREY H6B下壳, 开孔安装, 彩锌单扣, 带塑料保护盖, 灰色粉末喷涂
PART NUMBER 料号		PART DESCRIPTION 描述

THIS DRAWING IS A CONTROLLED DOCUMENT.		DWN 05JUN2015 David Wang	STE TE Connectivity	
		CHK 05JUN2015 Chris Wang		
		APVD 05JUN2015 Xiang Xu	NAME H6B-AD	
DIMENSIONS: mm		PRODUCT SPEC 108-137013	SIZE A200779	
TOLERANCES UNLESS OTHERWISE SPECIFIED: 0 PLC ± 1 PLC ± 2 PLC ± 3 PLC ± 4 PLC ± ANGLES ± FINISH		APPLICATION SPEC 114-137013	DRAWING NO C-T1510063000000	
MATERIAL -		WEIGHT -	RESTRICTED TO -	
		Customer Drawing	SCALE 1:1	SHEET 1 OF 1 REV B