

THIS DRAWING IS UNPUBLISHED.

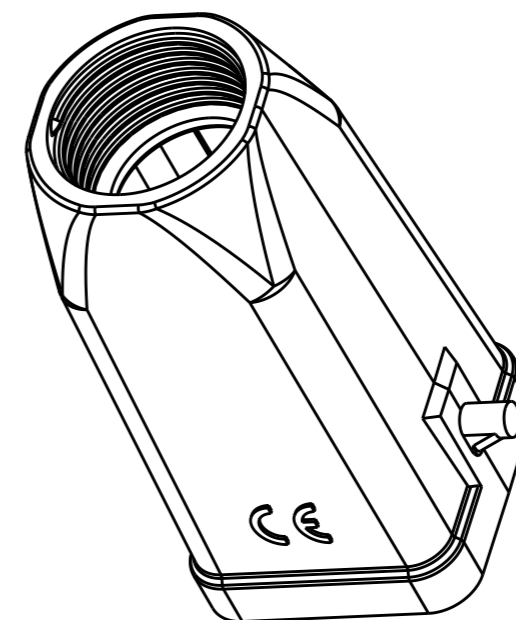
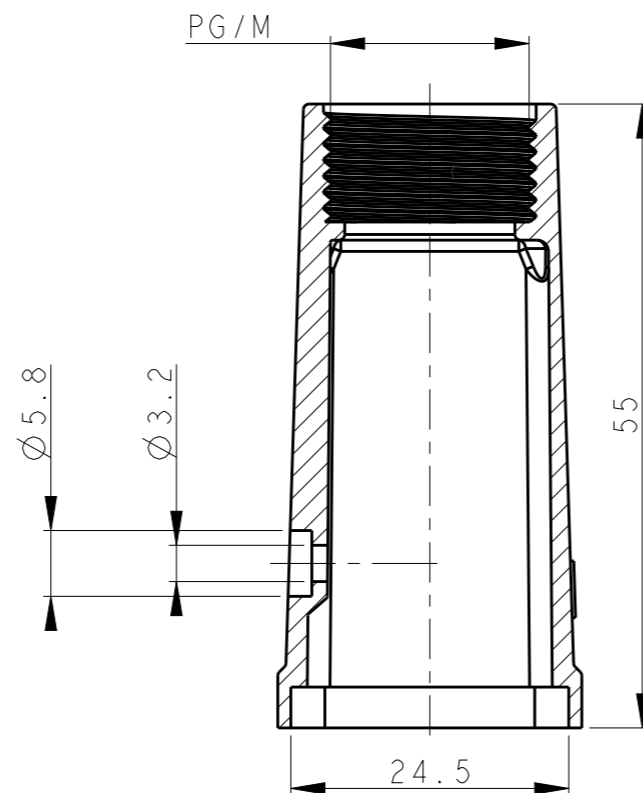
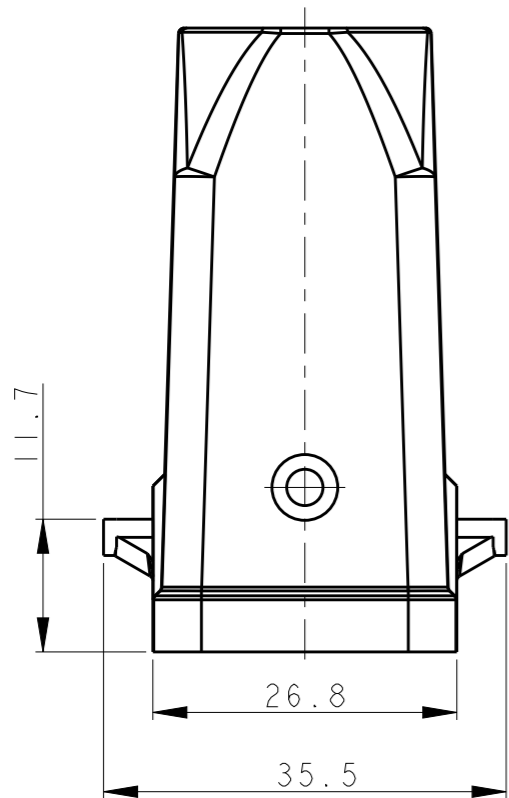
RELEASED FOR PUBLICATION

20

© COPYRIGHT 20 BY - ALL RIGHTS RESERVED.

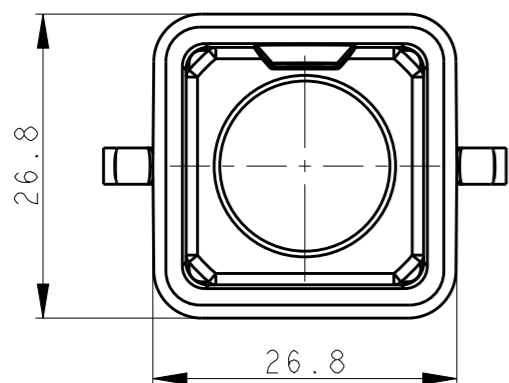
REVISIONS

P	LTR	DESCRIPTION	DATE	DWN	APVD
	B	ECR-18-016778	27OCT2018	GY	CW
	C	ECR-18-017120	16MAR2019	BS	CW
	D	ECR-20-006618	10JUN2020	CD	CW
	E	ECR-20-008412	26NOV2020	BS	CW



NOTES:
 1. TECHNICAL CHARACTERISTICS:
 BODY MATERIAL: PC
 DEGREE OF PROTECTION: IP65 (MATED)

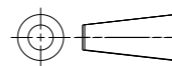
注释:
 1. 技术参数:
 主体材料: PC
 防护等级: IP65(配合)



T1329031111-000	H3A-TG-PG11	H3A PLASTIC HOOD, TOP ENTRY PG11, 2 EAR, GREY H3A塑料上壳, 顶出PG11, 2耳, 灰色	PG11
T1329031120-000	H3A-TG-M20	H3A PLASTIC HOOD, TOP ENTRY M20, 2 EAR, GREY H3A塑料上壳, 顶出M20, 2耳, 灰色	M20
PART NUMBER 零件料号	PART DESCRIPTION 零件描述		PG/M THREAD PG/M 螺纹孔

THIS DRAWING IS A CONTROLLED DOCUMENT.

DIMENSIONS:
mm



TOLERANCES UNLESS OTHERWISE SPECIFIED:

0 PLC	±-
1 PLC	±-
2 PLC	±-
3 PLC	±-
4 PLC	±-
ANGLES	±-

MATERIAL

FINISH

-

-

DWN 22APR2015

DAVID LI

CHK 22APR2015

CHRIS WANG

APVD 22APR2015

XU XIANG

PRODUCT SPEC

108-137134

APPLICATION SPEC

114-137134

WEIGHT

-

CUSTOMER DRAWING



TE Connectivity

NAME
H3A-TG-PG/M

SIZE CAGE CODE DRAWING NO RESTRICTED TO

A3 - C-T13290311XXX00 -

SCALE 3:2 SHEET 1 OF 1 REV E