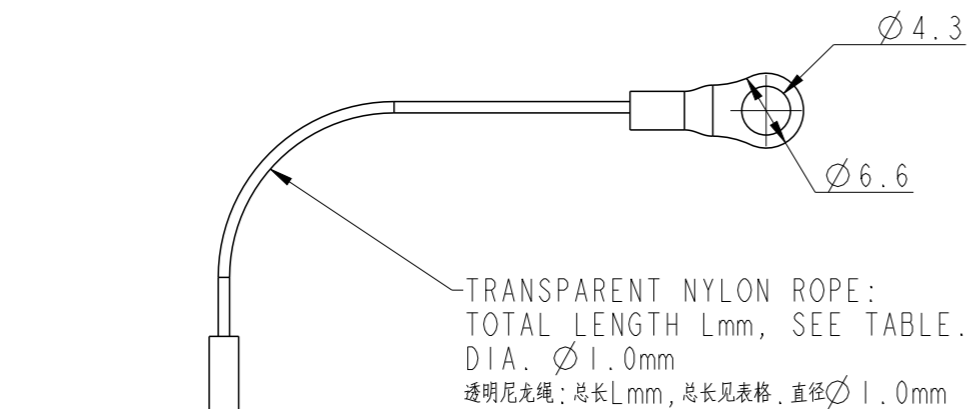
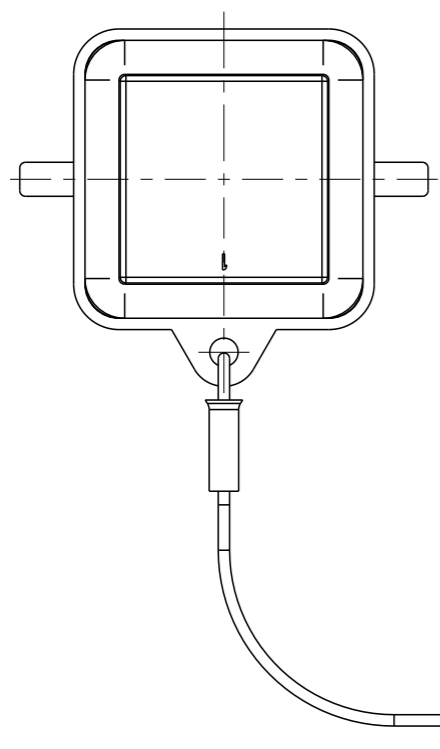
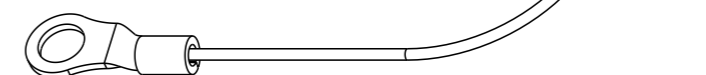
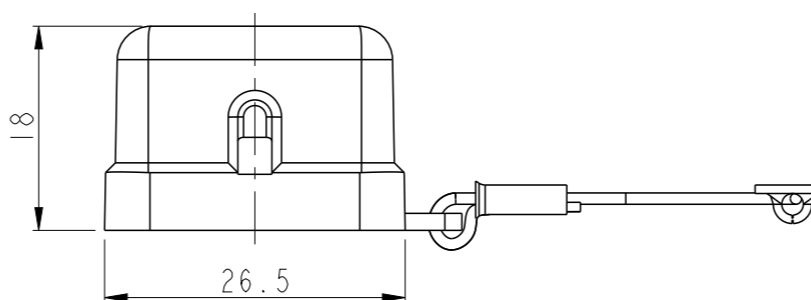
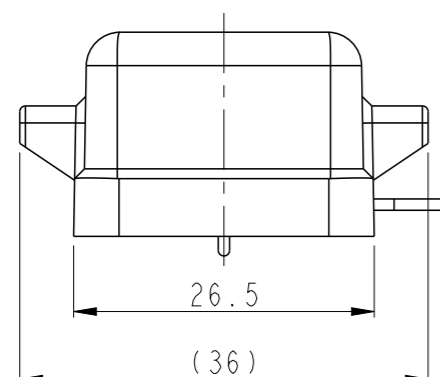
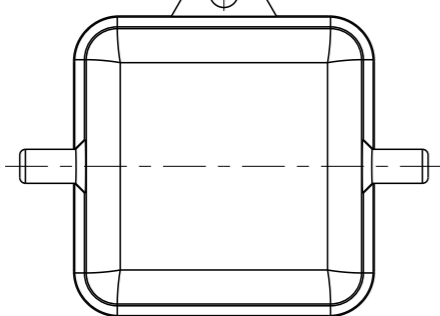
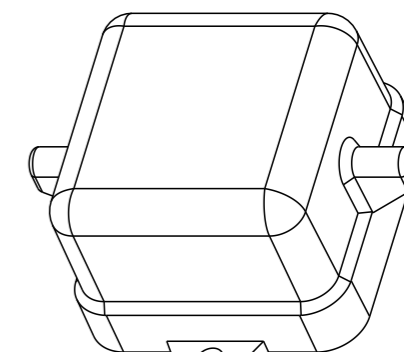


P	LTR	DESCRIPTION	DATE	DWN	APVD
	A	INITIAL RELEASE	23SEP2015	DL	CW
	A1	ECR-16-002552	19FEB2016	DL	CW
	A2	ECR-17-010103	12JUL2017	CH	CW
	A3	ECR-23-170796	03APR2023	AC	CW



NOTES:
 1. TECHNICAL CHARACTERISTICS:
 COVER MATERIAL: PC
 COVER COLOR: SEE TABLE

注释:
 1. 技术参数:
 保护盖材质: PC
 保护盖颜色: 见表格



T1010032100-000	H3A-KDBP-NY150	H3A HOUSING PLASTIC PROTECTION COVER, 2 EAR, SEALING, NYLON ROPE 150mm, WHITE H3A下壳塑料保护盖, 2耳, 带密封, 尼龙绳150mm, 白色	150
T1010032300-001	H3A-KDBP-G-NY110	H3A HOUSING PLASTIC PROTECTION COVER, 2 EAR, SEALING, NYLON ROPE 110mm, GREY H3A下壳塑料保护盖, 2耳, 带密封, 尼龙绳110mm, 灰色	110
T1010032300-000	H3A-KDBP-G-NY150	H3A HOUSING PLASTIC PROTECTION COVER, 2 EAR, SEALING, NYLON ROPE 150mm, GREY H3A下壳塑料保护盖, 2耳, 带密封, 尼龙绳150mm, 灰色	150
PART NUMBER 料号	PART DESCRIPTION 描述		L (mm) 绳子长度

THIS DRAWING IS A CONTROLLED DOCUMENT.

DWN 23SEP2015

DAVID LI

CHK 23SEP2015

CHRIS WANG

APVD 23SEP2015

XU XIANG

PRODUCT SPEC

-

APPLICATION SPEC

-

WEIGHT

-

STE TE Connectivity

NAME H3A-KDBP-G-NYXXX/H3A-KDBP-NYXXX

SIZE A3

CAGE CODE -

DRAWING NO. C-T1010032300000

RESTRICTED TO -

DIMENSIONS:	TOLERANCES UNLESS OTHERWISE SPECIFIED:
mm	
	0 PLC ±-
	1 PLC ±-
	2 PLC ±-
	3 PLC ±-
	4 PLC ±-
	ANGLES ±-
MATERIAL	FINISH
-	-
-	-

Customer Drawing SCALE 3:2 SHEET 1 OF 1 REV A3